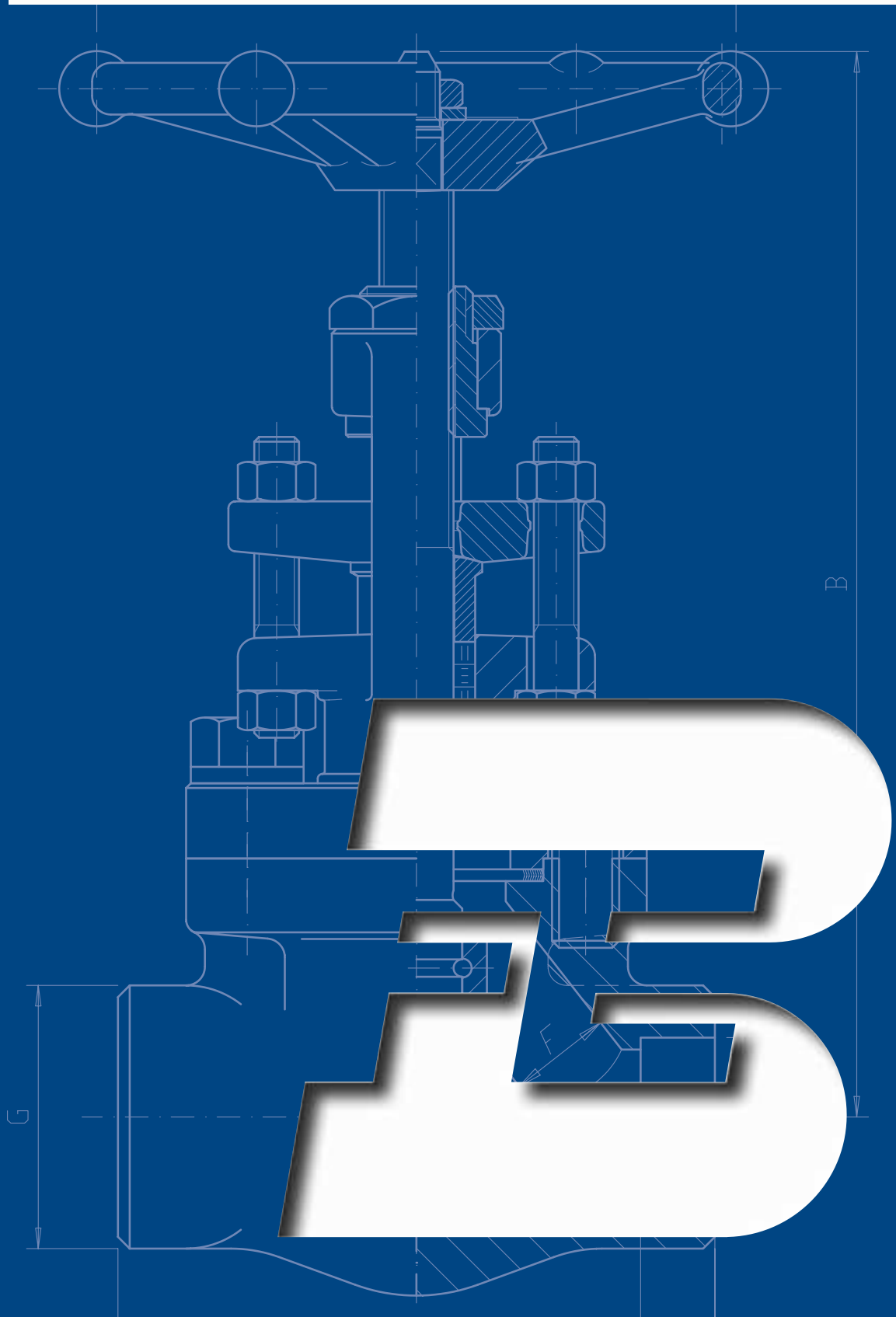


GLOBE VALVES



GLOBE VALVES

BOLTED BONNET

CLASS	FIGURE
800 FB	H 300
800 RB	HL 300
1500 FB	9H 300
1500 RB	9HL 300
1500 FB	H9R 300
2500 FB	25HR 300

WELDED BONNET

CLASS	FIGURE
800 FB	W 300
800 RB	WL 300
1500 FB	9W 300
1500 RB	9WL 300
2500 FB	25W 300
4500 FB	45W 300

Y PATTERN WELDED BONNET

CLASS	FIGURE
800 FB	Y 300
1500 FB	9Y 300
2500 FB	25Y 300
4500 FB	45Y 300

GLOBE VALVES

CLASS 800-1500

BOLTED BONNET - Full and reduced bore



Design construction:
 BS 5352 - NF M87.412
 Testing according to API 598 - BS 6755
 Marking MSS SP25

Outside Screw and Yoke (OS&Y)
 Self aligning packing gland in two parts
 Spiral-wound gasket retained type
 Integral backseat
 Loose solid disc

Socket weld Ends to ANSI B16.11
 Screwed Ends (NPT) to ANSI B1.20.1
 Butt Welding Ends to ANSI B.16.25

Ratings:
 - carbon steel class 800 1975 psig @ 100°F
 138 bar + 38°C
 - carbon steel class 1500 3705 psig @ 100°F
 255 bar + 38°C

For special execution see special features
 For materials and testing pressure see technical data

CLASS 800

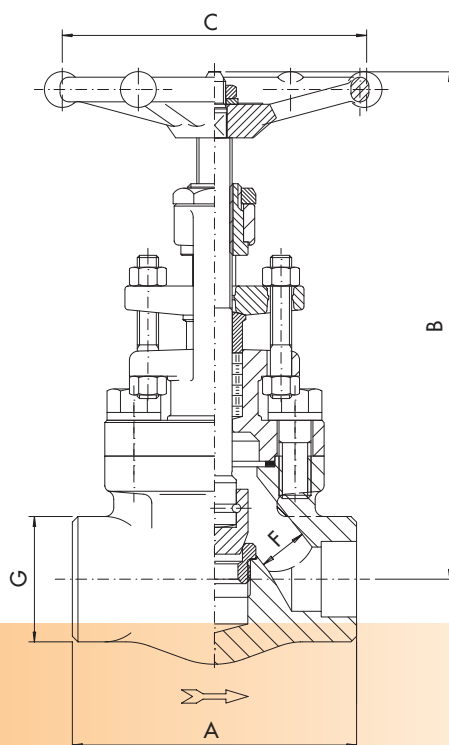
FULL BORE - Type H 300									
SIZE	inch mm	1/4	3/8	1/2	3/4	1	1.1/4	1.1/2	2
A		80	80	90	110	127	150	180	210
B open		166	166	171	213	247	258	300	375
C		88	88	88	97	138	138	172	172
F		7	9	13	17,5	22,5	29,5	35	45,5
G		32	32	38	48	56	64	78	85
WEIGHT kg ≅		2,2	2,2	2,4	3,8	6,1	7,6	12,5	19,6
FIGURE		H 301	H 302	H 303	H 304	H 305	H 306	H 307	H 308
PACKING		BH3	BH3	BH3	BH5	BY5/A	BY5/A	BY7	BH8
GASKET		G2	G2	G2	G3	G4	G6	G7	G9

REDUCED BORE - Type HL 300						
SIZE	inch mm	1/2	3/4	1	1.1/2	2
A		80	90	110	150	180
B open		166	171	213	258	300
C		88	88	97	138	172
F		9	13	17,5	29,5	35
G		32	38	48	64	78
WEIGHT kg ≅		2,1	2,3	3,7	7,4	11,9
FIGURE		HL 303	HL 304	HL 305	HL 307	HL 308
PACKING		BH3	BH3	BH5	BY5/A	BY7
GASKET		G2	G2	G3	G6	G7

CLASS 1500

FULL BORE - Type 9H 300									
SIZE	inch mm	1/4	3/8	1/2	3/4	1	1.1/4	1.1/2	2
A		90	90	110	127	150	180	210	230
B open		166	166	210	247	256	300	375	428
C		88	88	97	138	138	172	172	234
F		7	9	12	15	20	27	32	40
G		38	38	48	56	64	78	85	95
WEIGHT kg ≅		2,6	2,6	4,2	6,5	8,5	12,5	22,3	36
FIGURE		9H 301	9H 302	9H 303	9H 304	9H 305	9H 306	9H 307	9H 308
PACKING		BH3	BH3	BH5	2B4/A	2B4/A	2B5	BH8	9B8/A
GASKET		G1	G1	G2	G3	G4	G5	G7	G8

REDUCED BORE - Type 9HL 300						
SIZE	inch mm	1/2	3/4	1	1.1/2	2
A		90	110	127	180	210
B open		166	210	250	300	375
C		88	97	138	172	172
F		9	12	15	27	32
G		38	48	56	78	85
WEIGHT kg ≅		2,4	4	6,5	13	22
FIGURE		9HL 303	9HL 304	9HL 305	9HL 307	9HL 308
PACKING		BH3	BH5	2B4/A	2B5	BH8
GASKET		G1	G2	G3	G5	G7



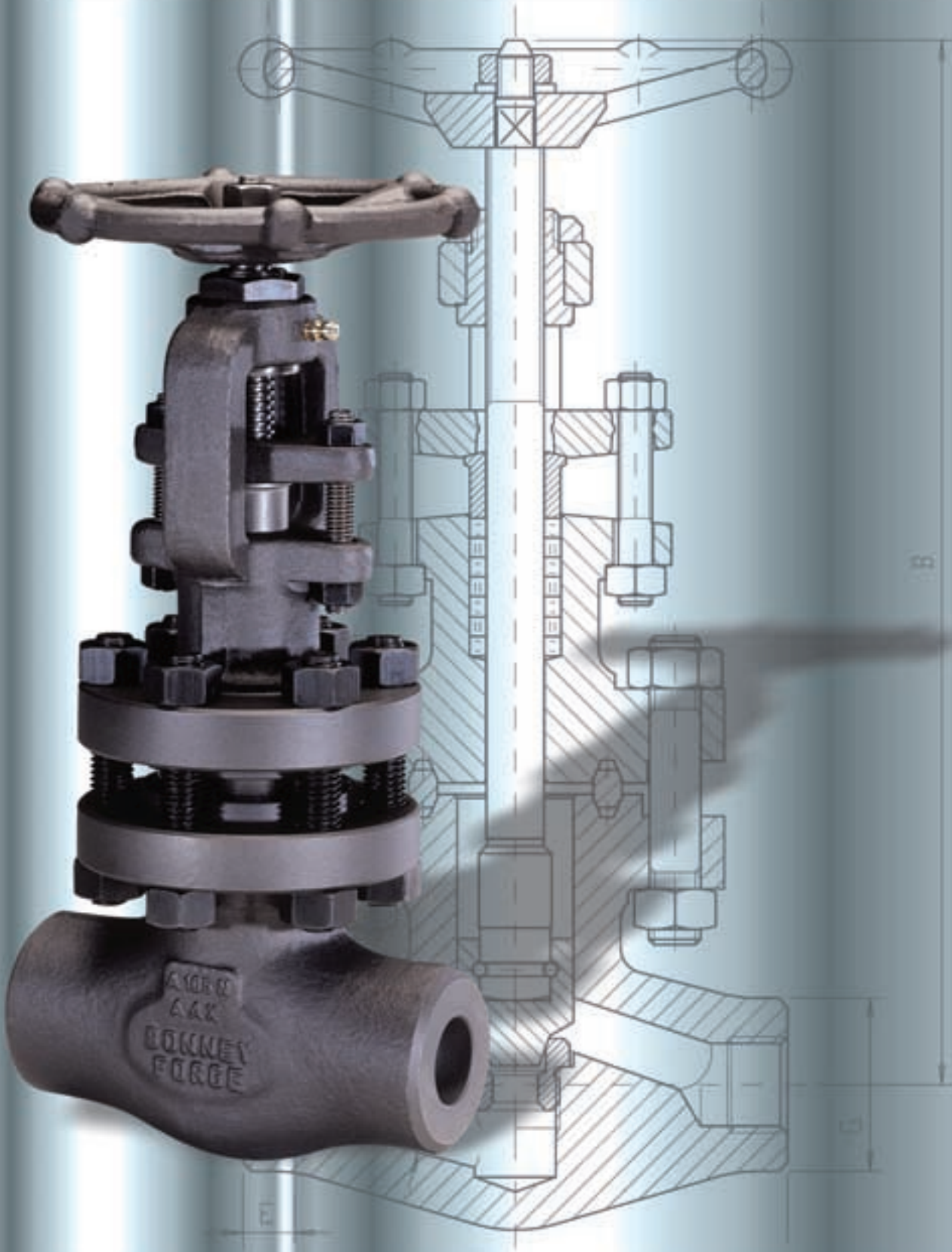
GLOBE VALVES



GLOBE VALVES

CLASS 1500-2500

BOLTED BONNET - Full bore



Design construction:
 BS 5352 - ANSI B16.34 - NF M87.412
 Testing according to API 598 - BS 6755
 Marking MSS SP55

Outside Screw and Yoke (OS&Y)
 Self aligning packing gland in two parts
 Integral backseat
 Oval ring joint gasket
 Loose solid disc

Socket weld Ends to ANSI B16.11
 Screwed Ends (NPT) to ANSI B1.20.1
 Butt Welding Ends to ANSI B.16.25

Ratings standard class:
 - carbon steel class 1500 3705 psig @ 100°F
 255 bar + 38°C
 - carbon steel class 2500 6170 psig @ 100°F
 425 bar + 38°C

For special execution see special features
 For materials and testing pressure see technical data

CLASS 1500

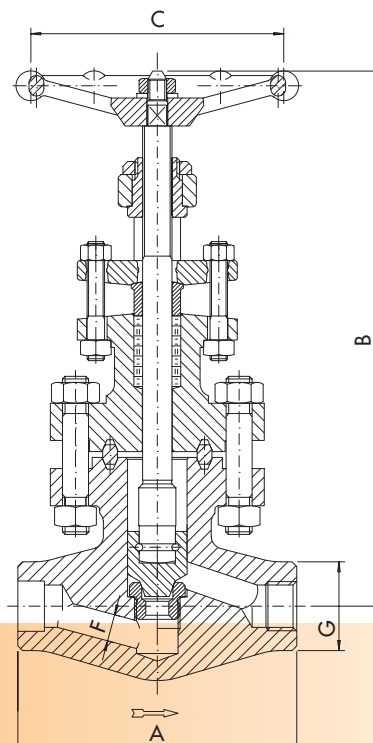
FULL BORE - Type H9R 300

SIZE	inch	1/2	3/4	1	1.1/2	2
	mm	15	20	25	40	50
A		110	150	150	210	230
B open		242	310	310	370	465
C		138	138	138	172	234
F		12	15	19	32	40
G		38	55	55	75	95
WEIGHT kg \approx		5	10	10	21	36
FIGURE		H9R 303	H9R 304	H9R 305	H9R 307	H9R 308
PACKING		2B3	2B4/A	2B4/A	2B5	2B8
GASKET		R12	R17	R17	R20	R24

CLASS 2500

FULL BORE - Type 25HR 300

SIZE	inch	1/2	3/4	1	1.1/2	2
	mm	15	20	25	40	50
A		150	150	210	230	230
B open		304	304	362	436	436
C		138	138	138	234	234
F		11	14,5	19	28	38
G		55	55	75	95	95
WEIGHT kg \approx		10	10	22	38	38
FIGURE		25HR 303	25HR 304	25HR 305	25HR 307	25HR 308
PACKING		2B4/A	2B4/A	BH8	2B8	4B8
GASKET		R16	R16	R17	R20	R20



GLOBE VALVES



GLOBE VALVES

CLASS 800-1500

WELDED BONNET - Full and reduced bore



Design construction:
 BS 5352 - NF M87.412
 Testing according to API 598 - BS 6755
 Marking MSS SP25

Outside Screw and Yoke (OS&Y)
 Self aligning packing gland in two parts
 Integral backseat
 Body bonnet weld to ASME IX
 Loose solid disc

Socket weld Ends to ANSI B16.11
 Screwed Ends (NPT) to ANSI B1.20.1
 Butt Welding Ends to ANSI B.16.25

Ratings:
 - carbon steel class 800 1975 psig @ 100°F
 138 bar + 38°C
 - carbon steel class 1500 3705 psig @ 100°F
 255 bar + 38°C

For special execution see special features
 For materials and testing pressure see technical data

CLASS 800

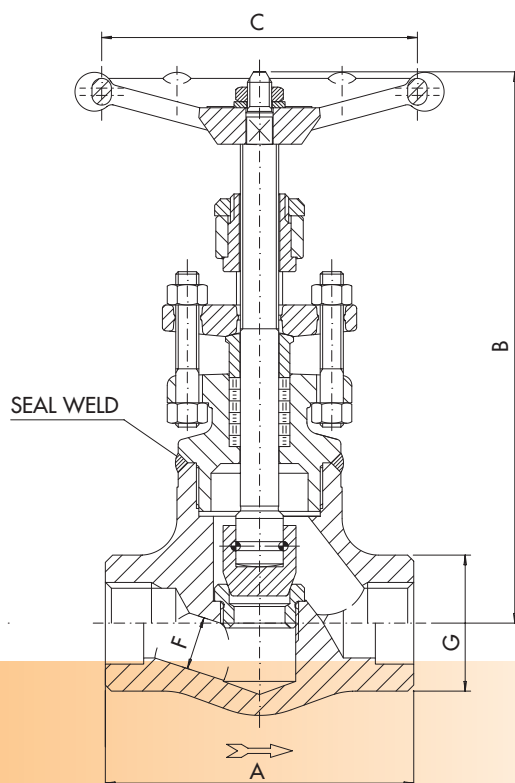
FULL BORE - Type W 300									
SIZE	inch mm	1/4	3/8	1/2	3/4	1	1.1/4	1.1/2	2
A		80	80	90	110	127	150	180	210
B open		166	166	171	213	247	258	300	375
C		88	88	88	97	138	138	172	172
F		7	9	13	17,5	22,5	29,5	35	45
G		32	32	38	48	56	64	78	85
WEIGHT kg ≅		1,7	1,8	2	3	5	6,8	11	16,5
FIGURE		W 301	W 302	W 303	W 304	W 305	W 306	W 307	W 308
PACKING		BH3	BH3	BH3	BH5	BY5/A	BY5/A	BY7	BH8

REDUCED BORE - Type WL 300						
SIZE	inch mm	1/2	3/4	1	1.1/2	2
A		80	90	110	150	180
B open		166	171	213	258	300
C		88	88	97	138	172
F		9	13	17,5	29,5	35
G		32	38	48	64	78
WEIGHT kg ≅		1,7	2	3	6,6	10,4
FIGURE		WL 303	WL 304	WL 305	WL 307	WL 308
PACKING		BH3	BH3	BH5	BY5/A	BY7

CLASS 1500

FULL BORE - Type 9W 300									
SIZE	inch mm	1/4	3/8	1/2	3/4	1	1.1/4	1.1/2	2
A		90	90	110	127	150	180	210	230
B open		166	166	210	247	256	300	375	428
C		88	88	97	138	138	172	172	234
F		7	9	12	15	20	27	32	40
G		38	38	48	56	64	78	85	95
WEIGHT kg ≅		2,2	2,2	3,5	5,5	7,6	10	20	30
FIGURE		9W 301	9W 302	9W 303	9W 304	9W 305	9W 306	9W 307	9W 308
PACKING		BH3	BH3	BH5	2B4/A	2B4/A	2B5	BH8	2B8/A

REDUCED BORE - Type 9WL 300						
SIZE	inch mm	1/2	3/4	1	1.1/2	2
A		90	110	127	180	210
B open		166	210	247	300	375
C		88	97	138	172	172
F		9	12	15	27	32
G		38	48	56	78	85
WEIGHT kg ≅		2	3,5	5,5	12	19
FIGURE		9WL 303	9WL 304	9WL 305	9WL 307	9WL 308
PACKING		BH3	BH5	2B4/A	2B5	BH8



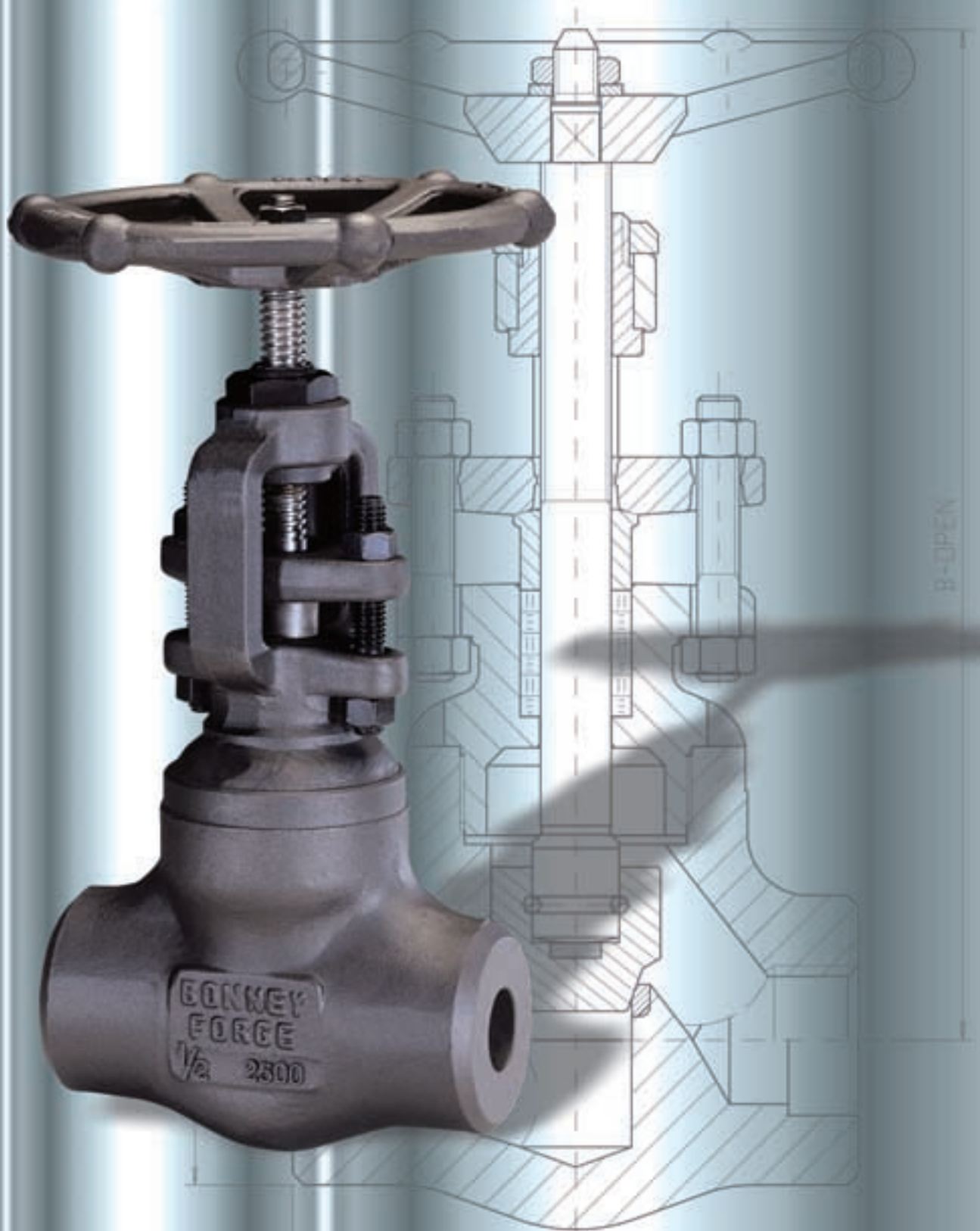
GLOBE VALVES



GLOBE VALVES

CLASS 2500-4500

WELDED BONNET - Full bore



Design construction:
ANSI B16.34
Testing according to API 598 - BS 6755
Marking MSS SP25

Outside Screw and Yoke (OS&Y)
Self aligning packing gland in two parts
Integral backseat
Body bonnet weld to ASME IX
Loose solid disc

Socket weld Ends to ANSI B16.11
Screwed Ends (NPT) to ANSI B1.20.1
Butt Welding Ends to ANSI B.16.25

Ratings standard class:
- carbon steel class 2500 6170 psig @ 100°F
425 bar + 38°C
- carbon steel class 4500 11110 psig @ 100°F
765 bar + 38°C

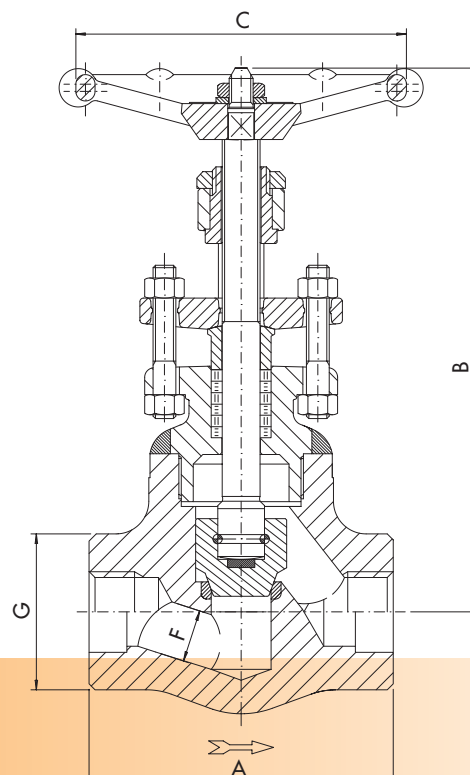
For special execution see special features
For materials and testing pressure see technical data

CLASS 2500

FULL BORE - Type 25W 300									
SIZE	inch	1/4	3/8	1/2	3/4	1	1.1/4	1.1/2	2
	mm	6	10	15	20	25	32	40	50
A		110	110	127	150	180	180	210	230
B open		190	190	226	247	288	288	360	420
C		88	88	138	138	138	138	172	234
F		7	9	11	14,5	19	22	28	35
G		48	48	56	64	78	78	85	95
WEIGHT kg ≅		4,5	4,7	5,5	8	13	13	19,8	30
FIGURE		25W 301	25W 302	25W 303	25W 304	25W 305	25W 306	25W 307	25W 308
PACKING		BH4	BH4	2B3	2B4/A	2B5	2B5	2B5	2B8

CLASS 4500

FULL BORE - Type 45W 300									
SIZE	inch	1/4	3/8	1/2	3/4	1	1.1/2	2	
	mm	6	10	15	20	25	40	50	
A		127	127	127	180	180	230	230	
B open		230	230	235	300	300	370	400	
C		138	138	138	172	172	234	400	
F		7	7	8	11	14	25	32	
G		56	56	56	78	78	95	120	
WEIGHT kg ≅		6,5	6,5	6,5	15	15	25	30	
FIGURE		45W 301	45W 302	45W 303	45W 304	45W 305	45W 307	45W 308	
PACKING		2B3	2B3	2B3	2B4/A	2B4/A	2B8	4B8	



GLOBE VALVES



GLOBE VALVES

CLASS 800-1500-2500-4500

WELDED BONNET - Full bore (Y type)



Design construction:
 BS 5352 - ANSI B16.34
 Testing according to API 598 - BS 6755
 Marking MSS SP25

Outside Screw and Yoke (OS&Y)
 Self aligning packing gland in two parts
 Integral backseat
 Body bonnet weld to ASME IX
 Loose solid disc

Ratings:
 - carbon steel class 800 1975 psig @ 100°F
 138 bar + 38°C
 - carbon steel class 1500 3705 psig @ 100°F
 255 bar + 38°C
 - carbon steel class 2500 6170 psig @ 100°F
 425 bar + 38°C
 - carbon steel class 4500 11110 psig @ 100°F
 765 bar + 38°C

Socket weld Ends to ANSI B16.11
 Screwed Ends (NPT) to ANSI B1.20.1
 Butt Welding Ends to ANSI B.16.25

For special execution see special features
 For materials and testing pressure see technical data

CLASS 800

FULL BORE - Type Y 300									
SIZE	inch mm	1/4	3/8	1/2	3/4	1	1.1/4	1.1/2	2
A		85	85	85	105	120	165	165	190
B open		174	174	174	215	255	255	318	375
C		88	88	88	97	138	172	172	172
F		7	9	13	17,5	22,5	35	35	45
G		38	38	38	48	56	78	78	85
WEIGHT kg ≅		2	2	2	3,3	5	11	11	15
FIGURE		Y 301	Y 302	Y 303	Y 304	Y 305	Y 306	Y 307	Y 308
PACKING		BH3	BH3	BH3	BH5	BY5/A	BY7	BY7	BH8

CLASS 2500

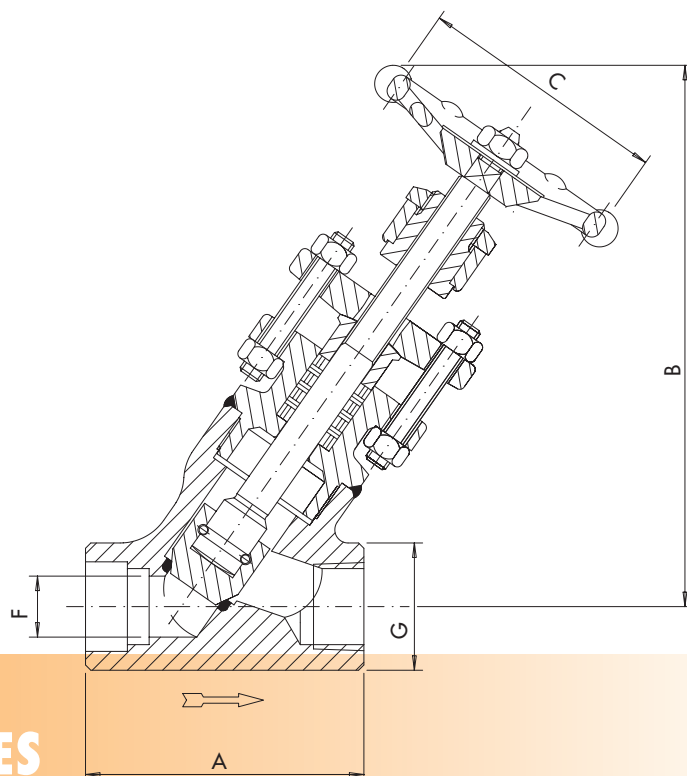
FULL BORE - Type 25Y 300									
SIZE	inch mm	1/4	3/8	1/2	3/4	1	1.1/2	2	
A		105	105	120	165	165	190	220	
B open		220	220	240	275	310	360	440	
C		88	88	138	138	138	172	234	
F		7	9	11	14,5	19	28	35	
G		48	48	56	78	78	85	95	
WEIGHT kg ≅		3,5	3,5	5	11,5	12,5	17	26	
FIGURE		25Y 301	25Y 302	25Y 303	25Y 304	25Y 305	25Y 307	25Y 308	
PACKING		BH4	BH4	2B3	2B4/A	2B5	2B5	2B8	

CLASS 1500

FULL BORE - Type 9Y 300									
SIZE	inch mm	1/4	3/8	1/2	3/4	1	1.1/4	1.1/2	2
A		85	85	105	120	165	165	190	220
B open		175	175	215	255	280	315	380	450
C		88	88	97	138	138	172	172	234
F		7	9	12	15	20	27	32	40
G		38	38	48	56	78	78	85	95
WEIGHT kg ≅		2	2	3,5	5,3	11	11	16,5	26
FIGURE		9Y 301	9Y 302	9Y 303	9Y 304	9Y 305	9Y 306	9Y 307	9Y 308
PACKING		BH3	BH3	BH5	2B4/A	2B4/A	BY7	BH8	2B8

CLASS 4500

FULL BORE - Type 45Y 300									
SIZE	inch mm	1/4	3/8	1/2	3/4	1	1.1/2	2	
A		120	120	120	165	165	220	230	
B open		240	240	245	305	310	420	450	
C		138	138	138	172	172	234	400	
F		7	7	8	11	14	25	32	
G		56	56	56	78	78	95	120	
WEIGHT kg ≅		5,5	5,5	5,6	14	14	28	32	
FIGURE		45Y 301	45Y 302	45Y 303	45Y 304	45Y 305	45Y 307	45Y 308	
PACKING		2B3	2B3	2B3	2B4/A	2B4/A	2B8	4B8	



GLOBE VALVES

